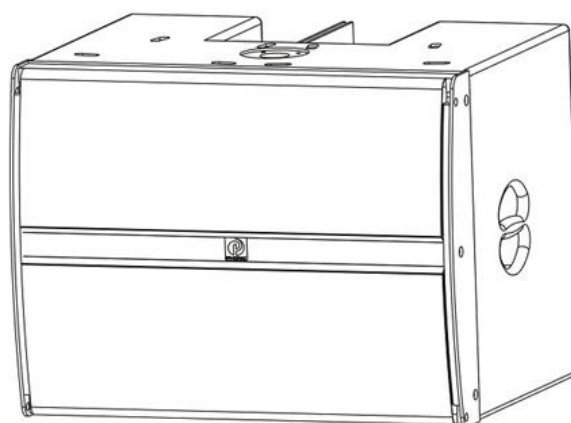
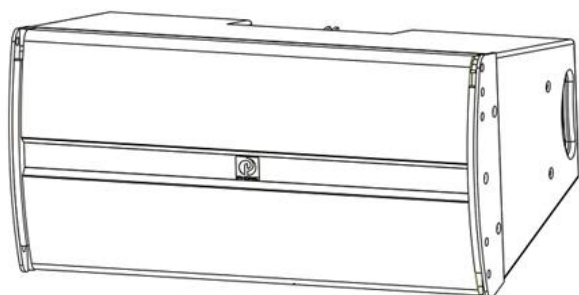


PHONIC



WWW.PHONIC.COM

.User's Manual

GWA 12 GWA 18B

Passive Speaker



ENGLISH

USER'S MANUAL

CONTENTS

SAFETY INSTRUCTIONS..... 1

INTRODUCTION..... 1

SUGGESTED SETUP METHODS..... 1

FEATURES..... 1

SPECIFICATIONS..... 2

APPENDIX

APPLICATIONS..... 1

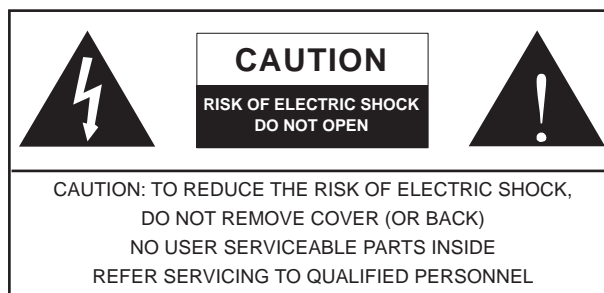
Phonic preserves the right to improve or alter any information within this document without prior notice

IMPORTANT SAFETY INSTRUCTIONS

The apparatus shall not be exposed to dripping or splashing and that no objects filled with liquids, such as vases, shall be placed on the apparatus. The MAINS plug is used as the disconnect device, the disconnect device shall remain readily operable.

Warning: the user shall not place this apparatus in the confined area during the operation so that the mains switch can be easily accessible.

1. Read these instructions before operating this apparatus.
2. Keep these instructions for future reference.
3. Heed all warnings to ensure safe operation.
4. Follow all instructions provided in this document.
5. Do not use this apparatus near water or in locations where condensation may occur.
6. Clean only with dry cloth. Do not use aerosol or liquid cleaners. Unplug this apparatus before cleaning.
7. Do not block any of the ventilation openings. Install in accordance with the manufacturer's instructions.
8. Do not install near any heat sources such as radiators, heat registers, stoves, or other apparatus (including amplifiers) that produce heat.
9. Do not defeat the safety purpose of the polarized or grounding-type plug. A polarized plug has two blades with one wider than the other. A grounding type plug has two blades and a third grounding prong. The wide blade or the third prong is provided for your safety. If the provided plug does not fit into your outlet, consult an electrician for replacement of the obsolete outlet.
10. Protect the power cord from being walked on or pinched particularly at plug, convenience receptacles, and the point where they exit from the apparatus.
11. Only use attachments/accessories specified by the manufacturer.
12. Use only with a cart, stand, tripod, bracket, or table specified by the manufacturer, or sold with the apparatus. When a cart is used, use caution when moving the cart/apparatus combination to avoid injury from tip-over.
13. Unplug this apparatus during lightning storms or when unused for long periods of time.
14. Refer all servicing to qualified service personnel. Servicing is required when the apparatus has been damaged in any way, such as power-supply cord or plug is damaged, liquid has been spilled or objects have fallen into the apparatus, the apparatus has been exposed to rain or moisture, does not operate normally, or has been dropped.



The lightning flash with arrowhead symbol, within an equilateral triangle, is intended to alert the user to the presence of uninsulated "dangerous voltage" within the product's enclosure that may be of sufficient magnitude to constitute a risk of electric shock to persons.



The exclamation point within an equilateral triangle is intended to alert the user to the presence of important operating and maintenance (servicing) instructions in the literature accompanying the appliance.

WARNING: To reduce the risk of fire or electric shock, do not expose this apparatus to rain or moisture.

CAUTION: Use of controls or adjustments or performance of procedures other than those specified may result in hazardous radiation exposure.



SAFETY INSTRUCTIONS

1. Read all instructions carefully before using your GWA Speakers.
2. Keep this safety and instruction flier for future reference.
3. Ensure you follow all instructions carefully.
4. When used in conjunction with Amplifiers or Powered Mixers ensure you follow the correct procedures in the set up and turning on and off of audio equipment. It is advisable, when an entire sound system is set up, that the power amplifier or powered mixer that you are using is turned on last (ie. That any source equipment, such as guitars, tape decks, etcetera, are turned on first). After all source equipment is turned on and have stabilized, ensure the power amp or powered mixer's level control is set to a minimal level and then activate, after which the level control can be set to a reasonable level. This should be done in reverse when shutting down: turn off the power amp or powered mixer first, then turn off all other devices. However many professional amplifiers feature delayed on/off circuits that can perform this automatically.
5. Warning – The GWA Speakers generate extremely high sound pressure levels. Ensure you take care in the placement and operation to avoid exposure to extremely high sound levels, to reduce to risk of causing permanent hearing damage.
6. Cables – Under no circumstances should you use shielded or microphone cables for connecting speakers to amplifiers. These cables are not heavy enough to be able to handle the amplifier load and could cause irreversible damage to your system.
7. Mounting – The suspending, rigging and mounting of the GWA Speakers can cause members of the public to be exposed to serious health risk, as well as the possibility of death. If you are NOT fully qualified and certified to mount these speakers by relevant local, state, or national authorities, do not under any circumstances try to rig, suspend or mount this system. All relevant safety regulations must be followed. If you are not completely qualified or do not know of said regulations, ensure you consult qualified personnel for assistance.
8. Servicing – Do not under any circumstances try to service this product by yourself. If servicing is required, contact your local service center.

INTRODUCTION

The GWA represents the best of Phonic's speaker revolution. The GWA's Curvature Line Array Loudspeaker System enhances audio dispersion and works with internal bracing to increase structural strength and to minimize diffraction. Phonic's proprietary designed horn, developed using computer-aided modeling, offers extremely balanced sound projection and low distortion even at high volumes. Our development team also crafted compression tweeters and long-throw composite woofers to ensure the GWA's sound quality matches its stunning cosmetics. The durability of the GWA series is unmatched. The GWA is protected by multi-layer scratchproof paint. The GWA series is the most versatile in its class with heavy duty pole mounts. With an unsurpassed audio response, sensational power handling, and fantastic flexibility, the GWA establishes a new benchmark.

FEATURES

- New 3" compression tweeter paired with Phonic's proprietary designed horn delivers smooth, transient highs beyond 20kHz
- 90°x30° dispersion angle
- Variable angles from 1.5 to 22.5 degrees (at 3-degree steps)
- New long-throw composite woofers
- Professional Speakon In/Out Connections
- Internal bracing system increases structural strength
- Rigid birch plywood cabinet
- Powder coated steel with acoustically transparent foam
- Multi-layer scratch-proof paint
- BEM simulation technology optimized wave correction through waveguide horn

Equalization

The GWA speakers are design to perfectly reproduce all audio signals as sent by your amplifier or powered mixer. As such, your equalization efforts do not need to take speaker response into account, rather your main concentration should be on the acoustics of the venue. If equalization is applied, it should be done so with the utmost of care. Applying overly harsh equalization can be detrimental to your overall sound.

Connection

The GWA speakers are equipped with professional Speakon speaker connectors on the rear of the speaker. The input connectors on each unit should be connected to an appropriate output device such as a power amplifier or powered mixer. The Speakon connectors do not need to be soldered into place; rather they are pushed into the socket and turned clockwise to lock. Once all equipment is turned off, twist the connector counter-clockwise to disconnect. The output connector can be used to run two (or more) speakers in parallel.

Speakon connector

Pin + = + on amplifier
Pin - = - on amplifier

Impedances

The nominal impedance of the GWA speakers is 8Ω. This means that a single GWA speaker can be used with an amplifier channel that can run down to 8Ω. Similarly, two speakers can be used with an amplifier that can run at 4Ω per channel and four speakers can be used with an amplifier that can run at impedances of 2Ω (check the amplifier's recommended operation before doing so).

Operation

When making a connection, be sure to turn off the amplifier that you are connecting to. Use professional Speakon connectors and cables only. Once connections are made, turn the amplifier on with all channels set to the zero position. Be sure not to drive the amplifier to the point of overload or clipping for any length of time as to ensure the integrity of the speaker's voice coil.

SPECIFICATIONS

GWA 12

Driver Unit: Low Frequency : 1 x 12" ; High Frequency : 1 x 3" compression driver

Frequency Response : 50 Hz - 20 KHz (-10dB)

Frequency Response : 55 Hz - 18 kHz (± 3 dB)

Sensitivity : 103 dB (1W @ 1m)

Power Handling : 1000 watts (Program), 2000 watts (Peak)

Maximum SPL : 136 dB

Nominal Coverage Angle (-6 dB) : Horizontal 90°, Vertical 30°

Nominal Impedance : 8 Ω

Finish : Wear-resistant textured black paint

Enclosure : Multi-layer birch plywood

Suspension Hardware : GWA Rigging system

Input Connectors : Speakon NL4 x 2

Dimensions : (H x W x D) 360 mm x 714 mm x 431 mm

Net Weight : 23 kg

GWA 18B

Driver Unit: 1 x 18"

Frequency Response : 35 Hz - 300 Hz (-10dB)

Frequency Response : 45 Hz - 250 Hz (± 3 dB)

Sensitivity : 101dB (1W @ 1m)

Power Handling : 2400 watts (Program), 4800 watts (Peak)

Maximum SPL : 137 dB

Nominal Impedance : 8 Ω

Finish : Wear-resistant textured black paint

Enclosure : Multi-layer birch plywood

Suspension Hardware : GWA Rigging system

Input Connectors : Speakon NL4 x 2

Dimensions : (H x W x D) 540 mm x 714 mm x 558 mm

Net Weight : 43 kg

SERVICE AND REPAIR

For replacement parts, service and repairs please contact the Phonic distributor in your country. Phonic does not release service manuals to consumers, and advice users to not attempt any self repairs, as doing so voids all warranties. You can locate a dealer near you at <http://www.phonic.com/where/>.

WARRANTY INFORMATION

Phonic stands behind every product we make with a no-hassles warranty. Warranty coverage may be extended, depending on your region. Phonic Corporation warrants this product for a minimum of one year from the original date of purchase against defects in material and workmanship under use as instructed by the user's manual. Phonic, at its option, shall repair or replace the defective unit covered by this warranty. Please retain the dated sales receipt as evidence of the date of purchase. You will need it for any warranty service. No returns or repairs will be accepted without a proper RMA number (return merchandise authorization). In order to keep this warranty in effect, the product must have been handled and used as prescribed in the instructions accompanying this warranty. Any tampering of the product or attempts of self repair voids all warranty. This warranty does not cover any damage due to accident, misuse, abuse, or negligence. This warranty is valid only if the product was purchased new from an authorized Phonic dealer/distributor. For complete warranty policy information, please visit <http://www.phonic.com/warranty/>.

CUSTOMER SERVICE AND TECHNICAL SUPPORT

We encourage you to visit our online help at <http://www.phonic.com/support/>. There you can find answers to frequently asked questions, tech tips, driver downloads, returns instruction and other helpful information. We make every effort to answer your questions within one business day.

support@phonic.com
<http://www.phonic.com>

PHONIC

PHONIC
WWW.PHONIC.COM